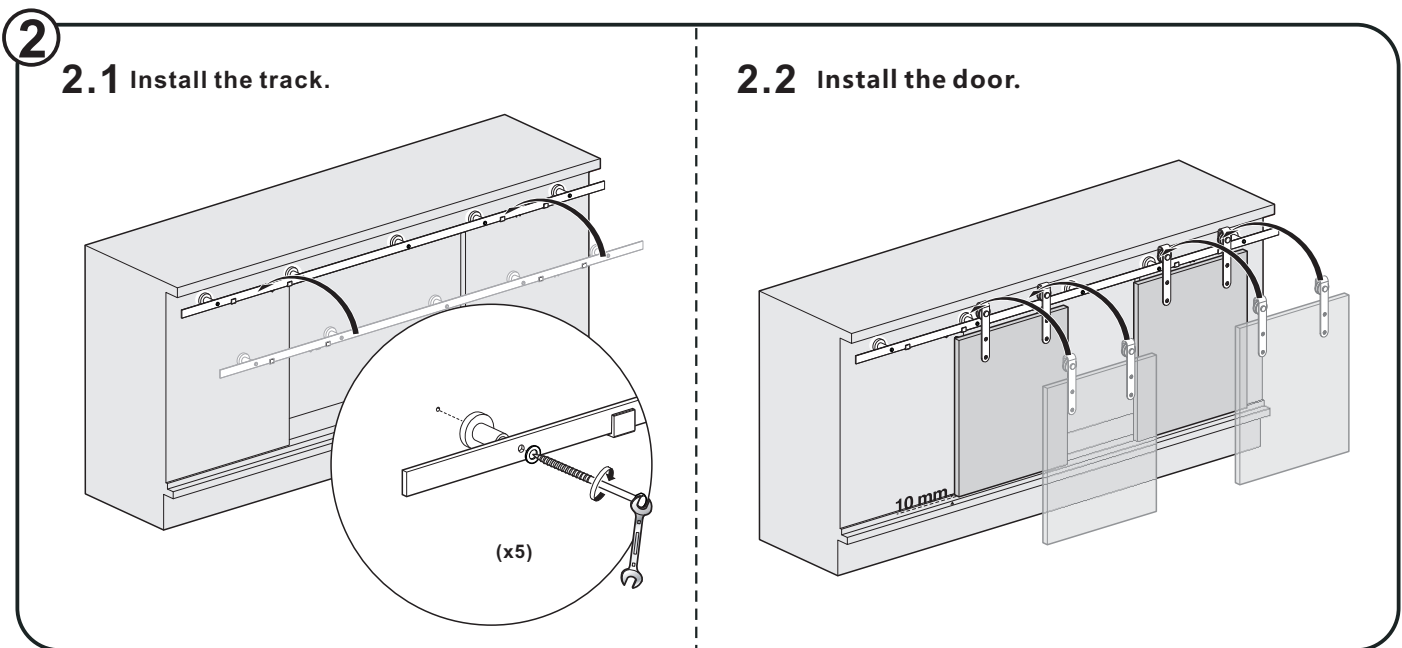
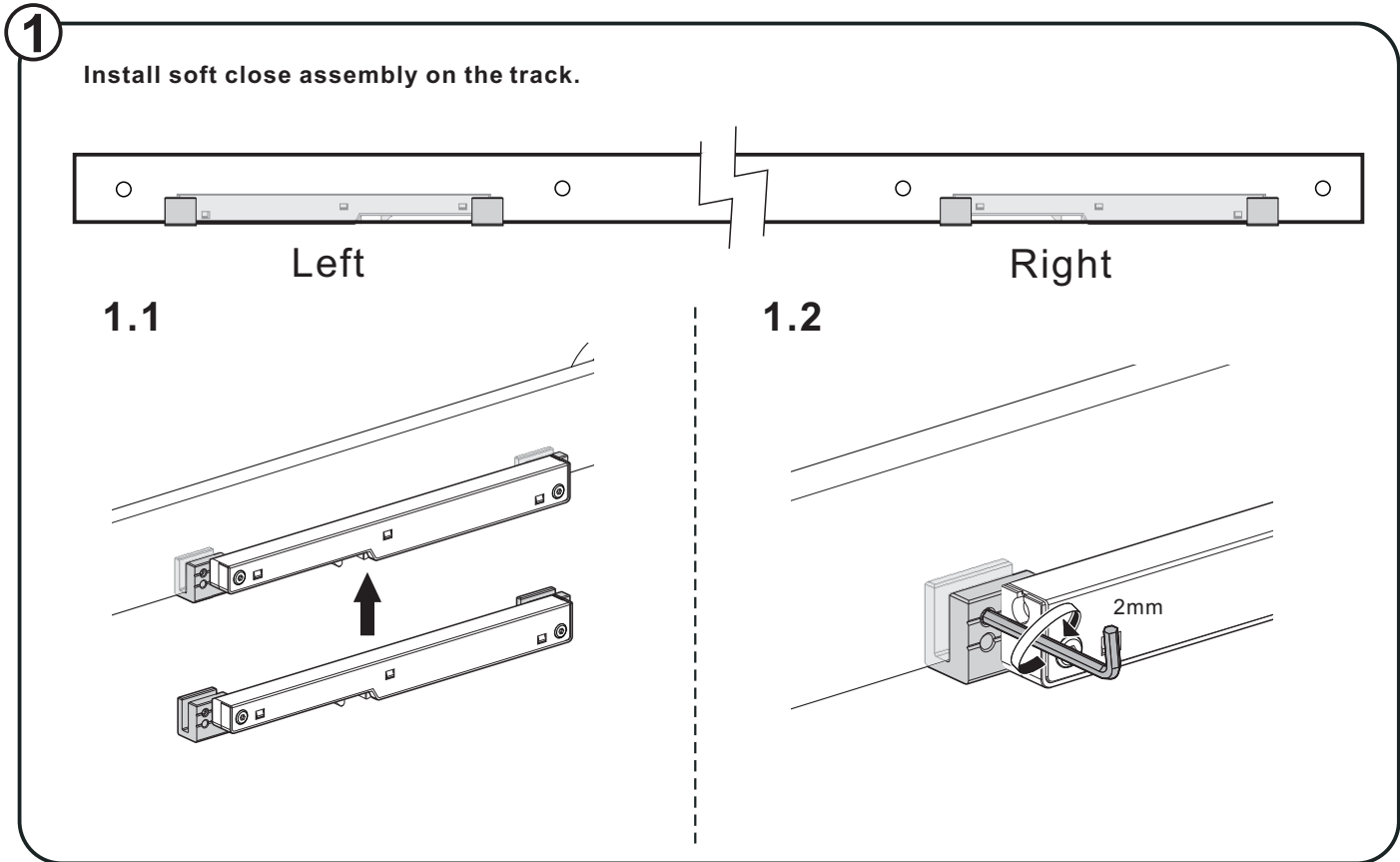
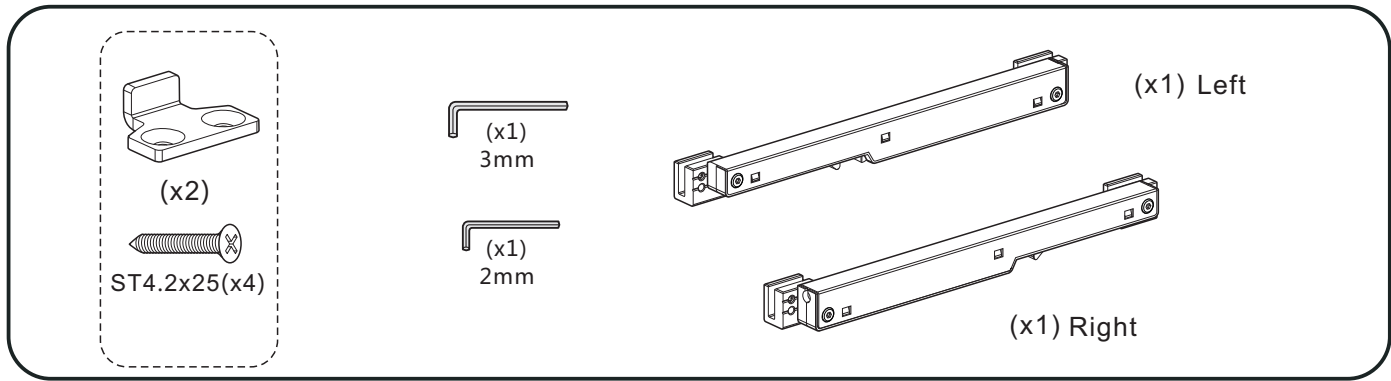
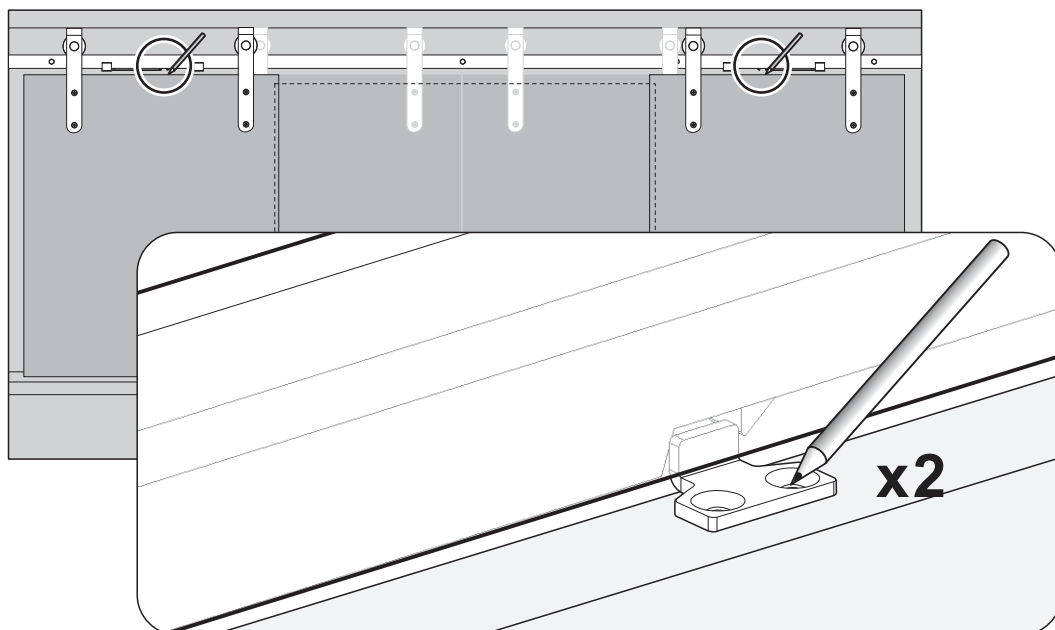


Installation Manual

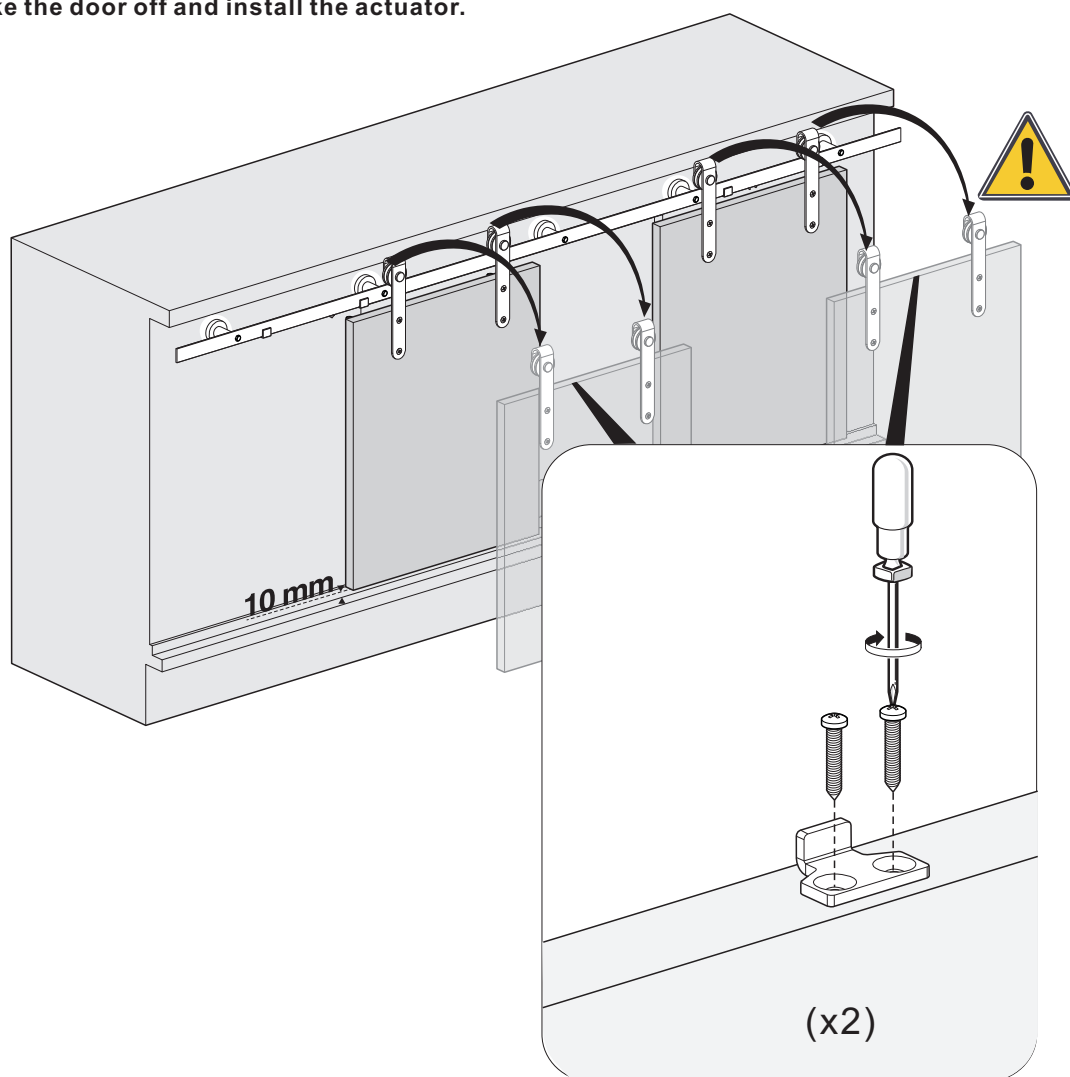


3

3.1 Slide the door to the open position, use a pencil to mark the actuator on the top of the door.



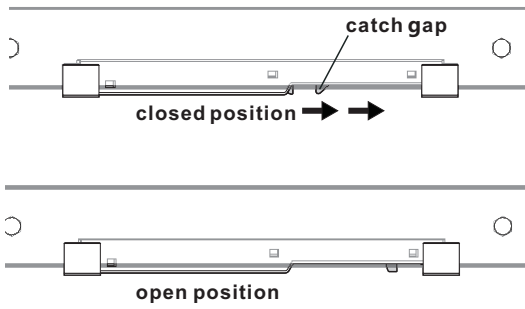
3.2 Take the door off and install the actuator.



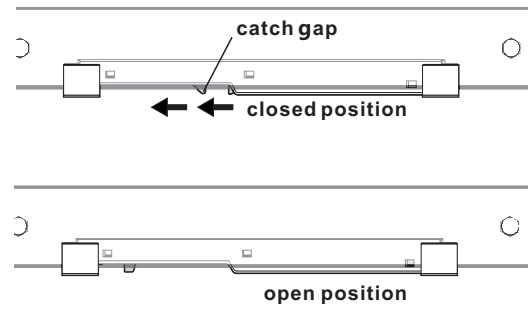
4

4 Make sure that the soft close assembly is in the open position.
Use caution, as you may need to use force.

Left

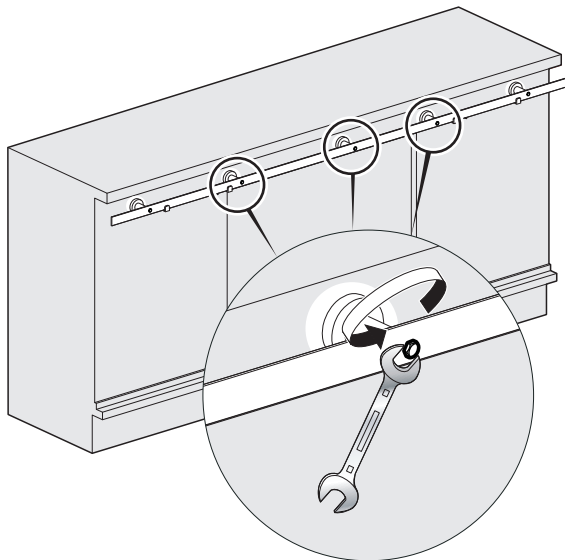


Right



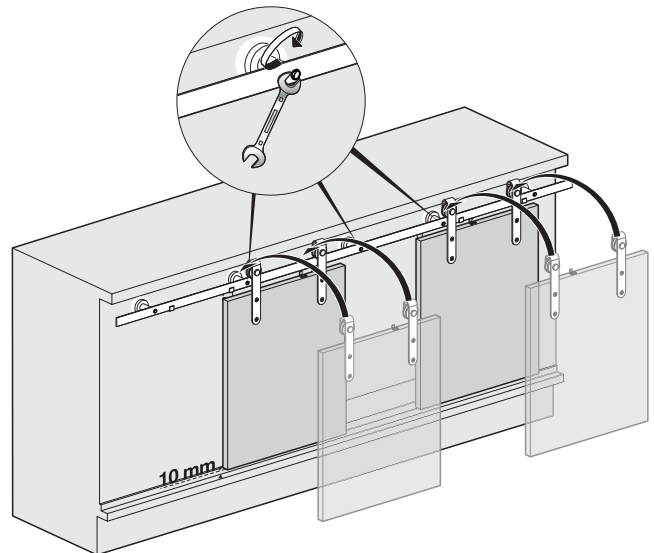
5

5 Loosen the track screws which near the soft close can make easier installation.



6

6 Reinstall the door and tighten the screws.



7

7 Slide the door to the open position and the closed position.

